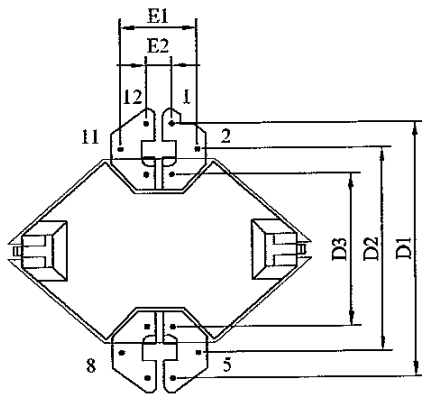
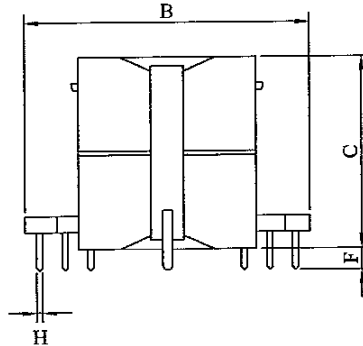
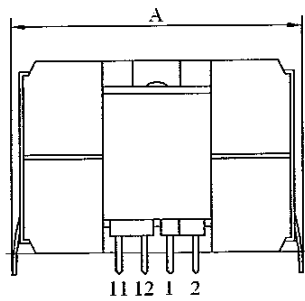


SPECIFICATION FOR APPROVAL

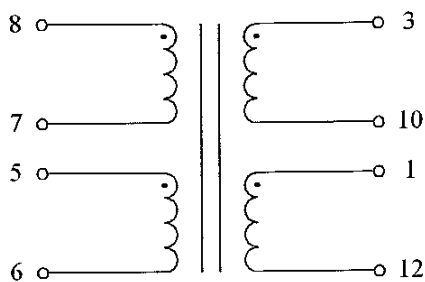
Product Name	HIGH FREQUENCY TRANSFORMER	Page	1
Superworld Part No.	SRMB2VT-50740	Rev. No.	0

1. CONFIGURATION & DIMENSIONS :



- A : 41.00 MAX mm
- B : 40.00 MAX mm
- C : 27.00 MAX mm
- D1 : 35.90±0.50 mm
- D2 : 28.70±0.50 mm
- D3 : 21.50±0.50 mm
- E1 : 10.78±0.50 mm
- E2 : 3.59±0.50 mm
- F : 3.00 MIN mm
- H : Ø0.80 REF mm

2. SCHEMATIC DIAGRAM :



SPECIFICATION FOR APPROVAL

Product Name	HIGH FREQUENCY TRANSFORMER	Page	2
Superworld Part No.	SRMB2VT-50740	Rev. No.	0

3. MATERIALS :

NO.	DESCRIPTION	SPECIFICATION	REMARK
a.	BOBBIN	PHENOLIC RESIN(BAKELITE) T375J 94V-0	
b.	CORE	RM12	
c.	WIRE	POLYURETHANE (UEW)	
d.	TAPE	POLYESTER FILM	
e.	CLIP	RM12	
f.	COPPER FOIL	2mil	
g.	NOMEX	10mil	

4. GENERAL SPECIFICATIONS :

- a. Operating Temperature Range : -25°C --- +105°C
- b. Insulation Class : B (130°C)

5. ELECTRICAL CHARACTERISTICS :

Part No.	INDUCTANCE (L)	CONDITIONS	TEST FREQ.	DCR @ 25°C
SRMB2VT-50740	L : (8-7) = 35μH ±15%	-	1KHz 0.1V	(8-7) = 60mΩ MAX
	L : (5-6) = 35μH ±15%	-	1KHz 0.1V	(5-6) = 60mΩ MAX



SUPERWORLD ELECTRONICS (S) PTE LTD